

SWIVEL

Material : 3d Printed Sugar & Wood Fibre

Retail Price ex. VAT:

Unit Price	£1,390.00	€1,670.00
Set of 3	£3,945.00	€4,735.00

Lead Time : 10-12 weeks

Dimensions:

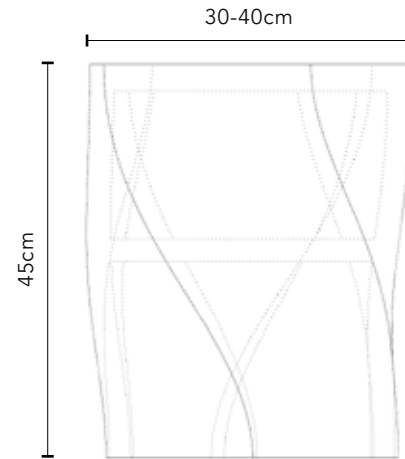
S : 30cm (l) x 25cm (w) x 45cm (h)

L : 40cm (l) x 35cm (w) x 45cm (h)

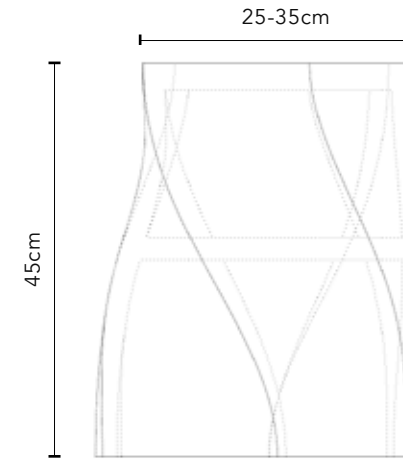
Finish: Natural wood fibre



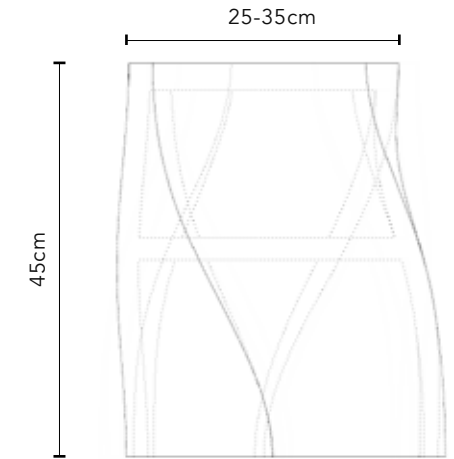
Elevation 1



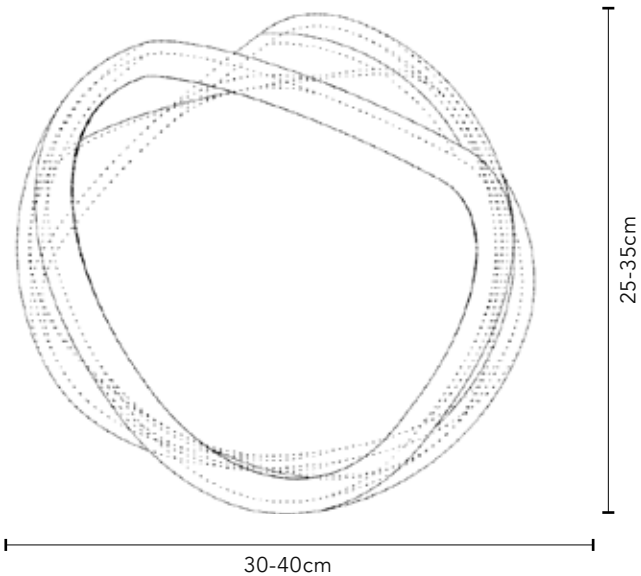
Elevation 2



Elevation 3



Plan



HH

